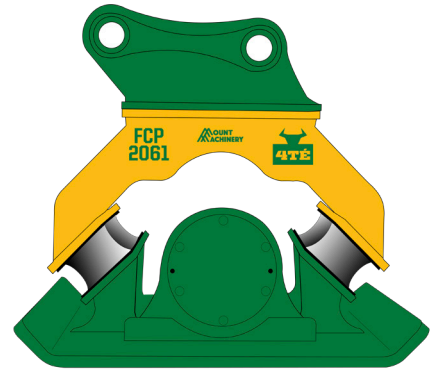
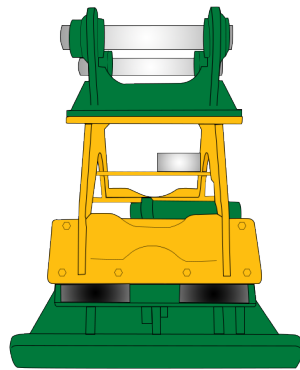




Compactor Plates



Compactor Plates

A super effective compaction tool to speed up the backfill process in deep drainage, deep excavations, pipelines, forming embankments etc. A must for the professional civil engineer! Compaction is achievable in unfavourable weather conditions or where traction is almost impossible as the attachment is guided by the machine arm. No loss of attachment as a result of trench side collapsing. These compactors are also very controllable for steep incline compaction.

Product features:

- Compactors to fit Back Hoe Loaders and excavators from 4-30 tonnes.
- Non-return valve-protects against damage caused by unavoidable backpressure.
- Cross-line relief valve - takes the stress off the motor allowing unforced momentum slow down.
- Self-lubricating bearing to save grease.

- Hoses favourably positioned inside the housing to reduce vulnerability.
- Compacts in lifts from 2-6 feet.
- Guaranteed compaction
- Superior performance.
- No more settlement

Technical Details	FCP-1061	FCP-2061	FCP-3061
Excavator weight range (T)	4 - 10	10 - 20	18 - 30
Operating weight (Kg)	380	685	1060
Operating pressure (bar)	100 - 130	100 - 150	150 - 200
Required flow (L/min)	45 - 85	85 - 105	120 - 170
Plate Width (mm)	550	700	900
Plate Length (mm)	900	1160	1350
Height (excl. saddle) (mm)	500	640	730
Impulse Force (T)	4	6.5	11
Vibration Frequency (rpm/min)	2000	3000	2200

Mount Machinery
137 Gelderd Road,
Leeds
LS12 6BZ

Telephone
+44 (0) 113 244 0244

sales@mountmachinery.com
www.mountmachinery.com





SALES



With a large range of reliable quality attachments and products and expert opinion to help find the best solution for you.

HIRE



Highly maintained, productive, powerful and reliable equipment available for hire now with full commission service.

SERVICING



Fast and efficient of hydraulic breaker gas re-charge, change of filters or just tighten up some bolts and a quick check over.

REPAIRS



With our highly equipped workshop and experienced technicians, Mount Machinery is competent to undertake very intricate and in-depth fault diagnosis often involving extensive testing, fabrication or sourcing unique components globally.

PARTS



Vast assortment of spare parts held in stock for immediate dispatch, reducing your potentially damaging downtime.

Mount Machinery

137 Gelderd Road,
Leeds
LS12 6BZ

Telephone

+44 (0) 113 244 0244

sales@mountmachinery.com
www.mountmachinery.com

Our Service

When price is important, cost is more important and the maintenance and running expenses of the product are key to the profitability of the project. Mount Machinery understand this better than any other in the industry and have an accumulating in-depth knowledge, experience and expertise in working on machines every day.

Working with these ever advancing excavators, Mount Machinery has learnt to navigate the entire minefield of electronic/hydraulic auxiliary systems on diverse makes, models and sizes of excavator to keep your machines at peak performance for as little as possible so that you can concentrate on the job knowing you're in safe hands.

We're trusted by some of the biggest names in the construction industry, right across the UK. Whether you're looking to buy, hire, or have your existing excavator attachments repaired or serviced, there's one thing that's certain.

You'll experience a responsive, 'can-do' attitude, and simple, honest, on-time quality service. It's what makes Mount Machinery the preferred supplier of choice for hundreds of companies nationwide.

We strive to provide the service that far exceeds the customers' expectations!

We are the 'go to' advisors in the excavator attachment industry, the connection between the excavator attachment manufacturers and the contractors on-site because of our long standing experience and deep passion for innovation.

