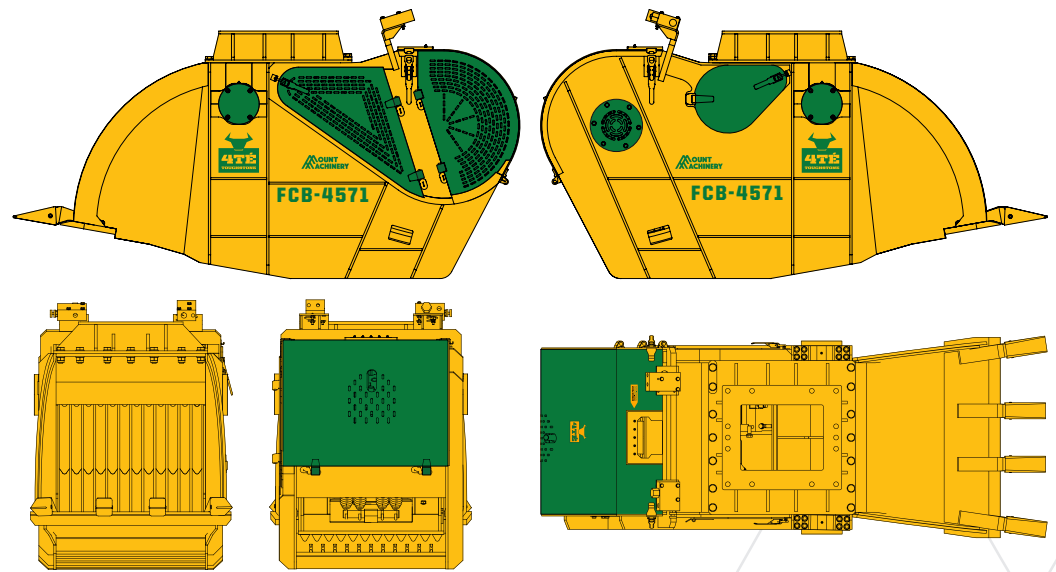




# Crusher Bucket



The 4TÉ TouchStone Crusher Bucket is the ideal tool where there is limited space on-site or for crushing smaller quantities of reinforced concrete, rock or rubble. The heavy duty twin fly wheel combination contributes a huge part of the crusher having that extra crushing power making it a very effective crushing attachment even for the hardest of reinforced concrete. The material falls from the bottom of the bucket with no rubber conveyor belts to become torn or damaged from the reinforcing steel in the concrete.



SALES



HIRE



SERVICING



REPAIRS



PARTS

**Mount Machinery**  
137 Gelderd Road,  
Leeds  
LS12 6BZ

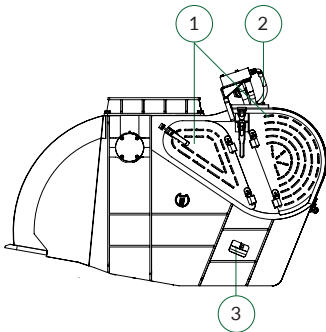
**Telephone**  
+44 (0) 113 244 0244

sales@mountmachinery.com  
[www.mountmachinery.com](http://www.mountmachinery.com)





# Crusher Bucket



**Key**

- 1. Easy access to inner workings
- 2. Central greasing point
- 3. Output size adjuster

**Performance features:**

- Crush up to 300 ton per day depending on material
- Variable crushing output size from 30 to 150mm. Capable of crushing down to type 1 size material.
- Suited to 7.5 to 60 ton excavators.

**Quality Control**

- Low stress on your excavator; bucket operates at a low pressure and a low flow

- Well balanced; two fly wheels, not one
- In-house development of motor and safety valve; parts sourced globally
- Reliable gear motor

**Ease of use**

- Ideal for compact sites where access is restricted
- Simple output size adjustment procedure
- External central point for all internal bearings

	FCB-1471	FCB-2471	FCB-4571	FCB-6071
<b>Technical Details</b>				
Excavator weight range (T)	7.5-14	13-24	21-45	35-60
Operating weight - excluding saddle (Kg)	1200	1900	3500	4500
Operating pressure (bar)	180 - 200	180 - 200	180 - 200	180 - 200
Required flow (L/min)	100 - 105	110 - 115	150 - 160	150 - 160
Overall height (mm)	1020	1291	1432	1478
Overall width (mm)	880	886	1080	1424
Overall length (mm)	1635	1903	2713	2775
Output size (mm)	30 - 150	30 - 150	30 - 150	30 - 150
Feeder opening (mm)	600 x 550	600 x 550	800 x 700	900 x 700

**Mount Machinery**  
 137 Gelderd Road,  
 Leeds  
 LS12 6BZ

**Telephone**  
 +44 (0) 113 244 0244

sales@mountmachinery.com  
[www.mountmachinery.com](http://www.mountmachinery.com)

