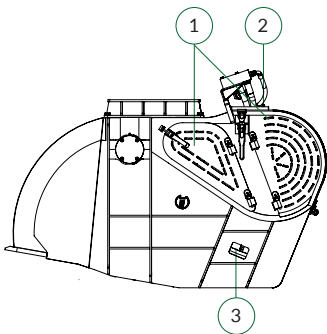






# Crusher Bucket



**Key**

- 1. Easy access to inner workings
- 2. Central greasing point
- 3. Output size adjuster

**Performance features:**

- Crush up to 300 ton per day depending on material
- Variable crushing output size from 30 to 150mm. Capable of crushing down to type 1 size material.
- Suited to 7.5 to 60 ton excavators.

**Quality Control**

- Low stress on your excavator; bucket operates at a low pressure and a low flow

- Well balanced; two fly wheels, not one
- In-house development of motor and safety valve; parts sourced globally
- Reliable gear motor

**Ease of use**

- Ideal for compact sites where access is restricted
- Simple output size adjustment procedure
- External central point for all internal bearings

|  | FCB-1471  | FCB-2471  | FCB-4571  | FCB-6071  |
|--|-----------|-----------|-----------|-----------|
| <b>Technical Details</b>                 |           |           |           |           |
| Excavator weight range (T)               | 7.5-14    | 13-24     | 21-45     | 35-60     |
| Operating weight - excluding saddle (Kg) | 1200      | 1900      | 3500      | 4500      |
| Operating pressure (bar)                 | 180 - 200 | 180 - 200 | 180 - 200 | 180 - 200 |
| Required flow (L/min)                    | 100 - 105 | 110 - 115 | 150 - 160 | 150 - 160 |
| Overall height (mm)                      | 1020      | 1291      | 1432      | 1478      |
| Overall width (mm)                       | 880       | 886       | 1080      | 1424      |
| Overall length (mm)                      | 1635      | 1903      | 2713      | 2775      |
| Output size (mm)                         | 30 - 150  | 30 - 150  | 30 - 150  | 30 - 150  |
| Feeder opening (mm)                      | 600 x 550 | 600 x 550 | 800 x 700 | 900 x 700 |

**Mount Machinery**

137 Gelderd Road,  
Leeds  
LS12 6BZ

**Telephone**

+44 (0) 113 244 0244

sales@mountmachinery.com  
www.mountmachinery.com

